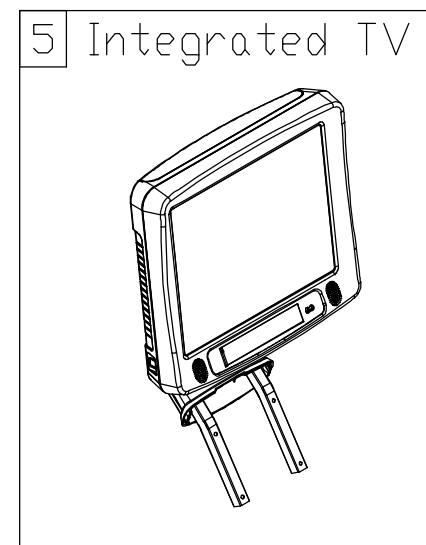
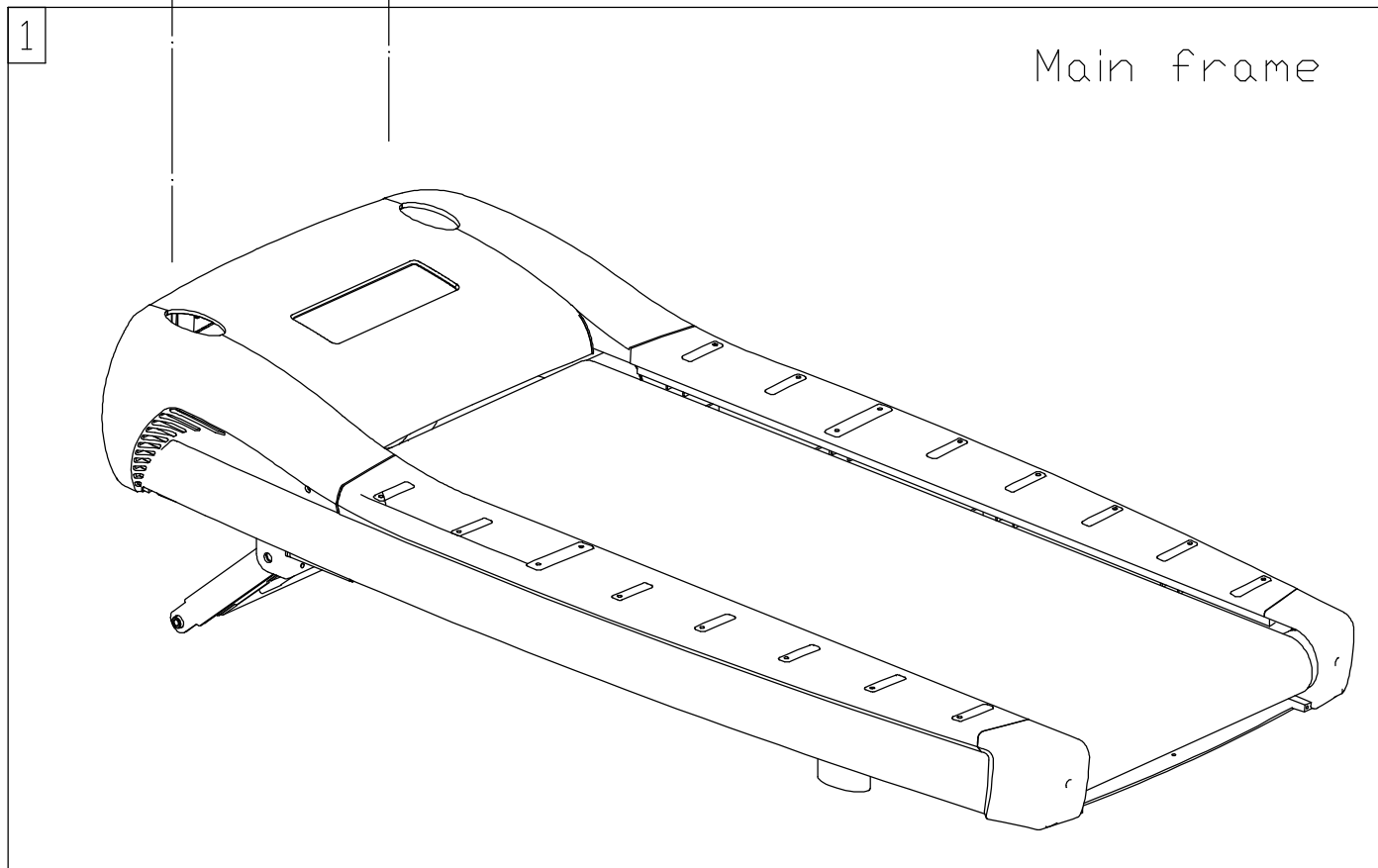
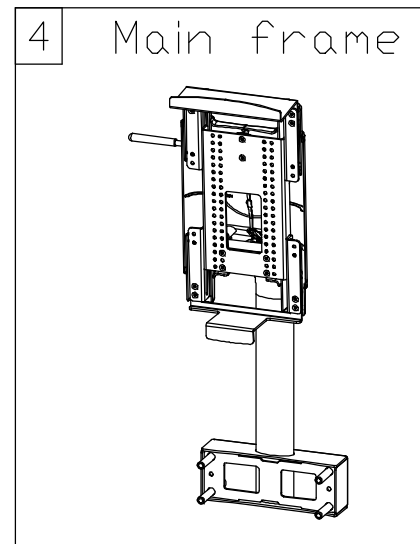
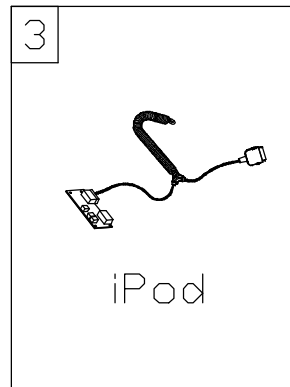
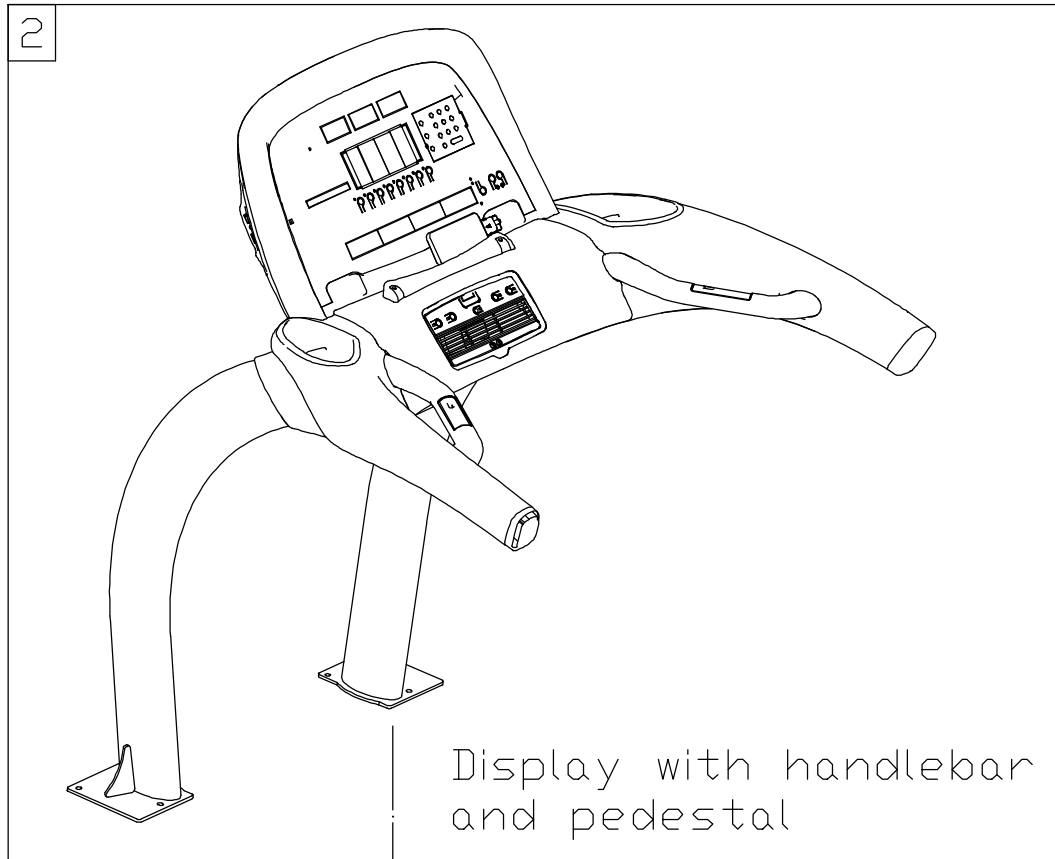


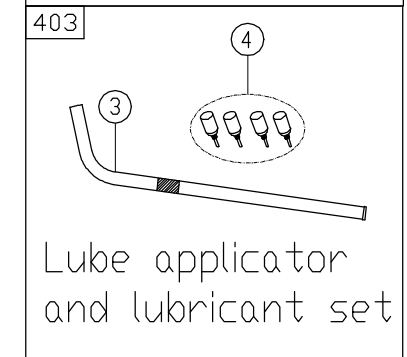
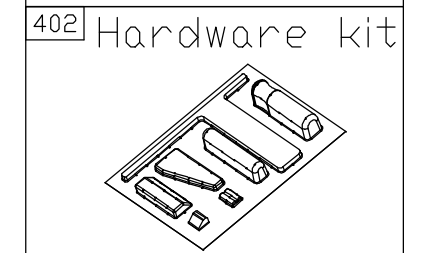
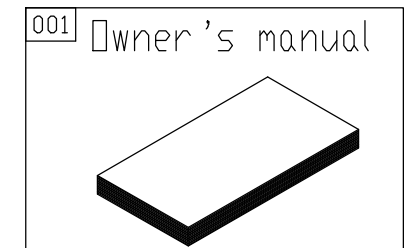
BBL	Description	QTY	Part Number	BBL	Description	QTY	Part Number
001	OWNER'S MANUAL	1	T672-001	062	SCREW - P (M5*P0.8*L10)	2	002-211-253
003	LUBE APPLICATOR TUBE	1	LUBE-02	063	A/V BRACKET	1	162-110-46C
004	LUBE - 4X50CC	1	LUBE-03	064	WIRE - GROUND	2	T680-62
005	MOTOR COVER - FRONT	1	T680-46	065	WASHER - S (BW5 3/16")	4	003-304-050
006	SCREW - P (M5*P0.8*L10)	4	002-211-253	066	WASHER - SP (M5*P0.8*L12)	4	003-302-004
007	STICKER - SPORTSART	1	000-063-910	067	SCREW - P (M5*P0.8*L10)	4	002-211-253
008	STICKER - MADE IN TAIWAN	1	000-063-030	068	ZIP TIE	1	000-076-242
008A	STICKER - PATENT	1	000-063-066	069	WIRE - INCLINE TO DRIVE	1	T680-36
010	SCREW - P (M5*P0.8*L10)	8	002-211-253	070	WIRE - FILTER TO DRIVE BOARD	1	T652-055
011	INNER MOTOR COVER - LEFT	1	T680-44	083	SILENCER PAD	4	T680-77
013	SCREW - M/P (M5*0.8*L12)	4	002-209-132	084	SCREW - M/P (M5*0.8*L16)	18	002-209-058
017	WATER GUARD	2	T680-48	085	LANDING STRIP INSET - BLACK	14	T680-80
018	WATER GUARD	2	T680-49	086	LANDING STRIP INSET - ORANGE	2	T680-82
019	INNER MOTOR COVER - RIGHT	1	T680-50	087	LANDING STRIP - LEFT	1	T680-81
021	SCREW - P (M5*P0.8*L20)	4	002-211-257	088	SILENCER PAD	6	062-131-040
022	SCREW - M/H (M5*L20)	4	002-203-051	089	TAPE - FOAM - SINGLE SIDED	2	000-065-136
031	DRIVE BELT - FLEXONIC (P807J12)	1	T680-27	092	TRANSPORT WHEEL	2	T680-41
032	POWER CORD - 110V (8 FT)	1	6300-66	099	SCREW - P (M5*P0.8*L10)	4	002-211-253
032.1	POWER CORD - 110V (12 FT)	1	6300-66B	100	WASHER - F (D10*D5.2*T1.0)	4	003-301-021
033	SCREW - P (M4*P0.7*L8)	2	002-211-077	101	SCREW - P (M5*P0.8*L10)	4	002-211-253
034	POWER CORD INLET	1	T645-430	102	COVER BRACKET	2	T680E-109
035	COIL - GREEN	1	TR12F-107	103	TAPE - DOUBLE-SIDED	1	000-065-070
036	SCREW - P (M5*P0.8*L10)	1	002-211-253	104	SCREW - P (M5*P0.8*L10)	4	002-211-253
037	WASHER - SP (M5*P0.8*L12)	1	003-302-004	109	STICKER - ECO-POWR	2	T672-109
038	WASHER - S (BW5 3/16")	1	003-304-050	110	SCREW - B/H (M6*L30)	1	002-205-630
038A	ZIP TIE	12	000-076-241	110A	SCREW - B/H (M6*P1.0*L45)	1	002-230-640
038B	WIRE CLIP	2	000-076-010	111	SET BLOCK	1	T680E-118
038C	WIRE CLIP - (3/8")	1	000-076-450	111A	BUSHING	1	T672-111A
038D	WASHER - F (D9*D3.5*T0.8)	1	003-301-109	127	WASHER - F (D17*D8*T1.5)	2	003-301-024
038E	SCREW - P (M3*L12)	1	002-212-045	128	SCREW - B/H (M8*P1.25*L90)	2	002-205-891
038F	TAPE - DOUBLE-SIDED	1	000-065-070	129	BRACKET NUT	3	062-101-010
040	STICKER - POWER SWITCH	1	000-063-001	130	REAR BRACKET	1	062-130-061
041	STICKER - GROUND WIRE	1	000-063-004	131	SCREW - M/P (M5*0.8*L16)	3	002-209-058
042	STICKER - LIVE WIRE	1	000-063-005	132	SCREW - M/P (M5*0.8*L25)	4	002-209-061
043	WASHER - S (BW5 3/16")	2	003-304-050	133	END CAP - LEFT	1	T680-71
044	SCREW - P (M5*P0.8*L10)	2	002-211-253	134	END CAP - RIGHT	1	T680-75
045	ON/OFF SWITCH	1	ONSW-01	138	REAR ROLLER	1	T680-99
046	FUSE HOLDER - OLD STYLE	1	FSHR-01	139	DECK BUSHING	2	062-553-010
047	FUSE - 15A 110V	2	F15F-01	140	O-RING - FRONT	2	062-530-013
048	STICKER - FUSE 15A 110V	1	000-063-659	141	SCREW - B/H (M8*P1.25*L50)	2	002-202-043
049	WIRE - SWITCH TO FUSE HOLDER	1	TR33-75	142	DECK BUSHING	2	062-353-020
050	WIRE - FILTER TO SWITCH	1	T652-058	143	O-RING - FRONT	2	062-530-013
052	SCREW - P (M4*P0.7*L6)	2	002-211-222	144	SCREW - B/H (M8*P1.25*L50)	2	002-202-043
053	WIRE - FILTER GROUND	1	T652-063	145	LANDING STRIP - RIGHT	1	T680-83
053A	WASHER - S (BW5 3/16")	1	003-304-050	146	WASHER - SP (M8)	4	003-302-010
053B	WASHER - SP (M5*P0.8*L12)	1	003-302-004	147	SCREW - B/H (M8*P1.25*L30)	4	002-205-831
053C	SCREW - P (M5*P0.8*L10)	1	002-211-253	150A	CROSSBAR - MIDDLE	2	T680E-157A
053D	STICKER - GROUND WIRE	1	000-063-002	151	WASHER - SP (M8)	4	003-302-010
054	A/V BRACKET OVERLAY	1	T672-054	152	SCREW - B/H (M8*P1.25*L30)	4	002-205-831
056	SCREW - P (M3*L12)	2	002-212-045	154	MYFLEX CUSHION SUPPORT	4	T680-93
057	SCREW - P (M4*P0.7*L12)	4	002-211-225	155	SCREW - B/H (M8*P1.25*L20)	4	002-205-820

BBL	Description	QTY	Part Number	BBL	Description	QTY	Part Number
156A	MYFLEX PLUS CUSHION	4	T680E-163A	216	WIRE - IPOD POWER	1	T672-216
159	STICKER - SPORTSART	1	058-063-100	217	WIRE - DISPLAY TO KEYPAD	1	T680-19
160	SCREW - P (M3*L12)	2	002-212-045	218	CUP HOLDER - LEFT	1	T680-20
161	CSAFE BOARD	1	T652-182A	219	SCREW - M/P (M5*0.8*L12)	2	002-209-132
162	SCREW - M/P (M4*L14)	4	002-210-015	220	WASHER - F (D17*D8.3*T2)	4	003-301-038
163	USB COVER	1	T672-163	221	SCREW - B/H (M8*P1.25*L15)	4	002-205-812
163A	DISPLAY SIDE COVER	1	T672-163A	222	SCREW - P (M5*P0.8*L10)	1	002-211-253
168	SCREW - M/P (M4*L14)	7	002-210-015	223	SCREW - M/H (M6*P1.0*L15)	8	002-203-023
169	DISPLAY FRAME	1	T672-169	224	WASHER - F (D13*D6*t2.0)	8	003-301-045
170	SCREW - M/P (M4*L14)	4	002-210-015	225	HANDLE - LEFT	1	T672-225
171	SCREW - M/H (M6*P1.0*L12)	4	002-203-027	225A	TWIST TIE	1	100-076-203
172	WASHER - F (D13*D6*t2.0)	4	003-301-045	226	SCREW - B/H (M6*L8)	2	002-205-601
173	WIRE CLIP - (3/8")	2	000-076-450	227	SCREW - P (M5*P0.8*L10)	2	002-211-253
173A	WIRE CLIP - (1/4")	4	000-076-430	228	SCREW - H (M6*P1.0*L55)	2	002-205-650
173B	WIRE CLIP - (3/4")	1	000-076-465	229	HANDLEBAR END CAP - LEFT	1	T680-23
174	SCREW - M/P (M4*L12)	6	002-210-003	230	ENDCAP BRACKET	2	T680E-250
175	DISPLAY CONTROL BOARD	1	167-220-032	239	SCREW -B/H (M8*P1.25*L18)	6	002-205-813
176	SCREW - P (M3*L8)	20	002-212-042	240	WASHER - SP (M8*T2.0)	6	003-302-006
177	PROGRAM CHIP - V1.2	1	065-220-051	241	WASHER - S (D18*D8.5*T2.0*19T)	4	003-304-062
180	KEY CUSHION	9	032-630-280	241A	TWIST TIE	1	100-076-201
181A	DISPLAY FRONT PLASTIC	1	T672-181A	242	STICKER - LEFT	1	000-063-044
181B	STICKER - WARNING	1	067-263-020	243	CAP	1	016-330-082
181C	SCREW - M/P (M4*L12)	1	002-210-003	244	SWEAT GUARD	2	T680-31
182	ZIP TIE	3	000-076-241	245	SCREW - P (M4*P0.7*L35)	2	002-211-230
183	WIRE - CSAFE BOARD	1	T670E-183	246	SCREW - B/H (M6*P1.0*L10)	4	002-205-610
184	WIRE - PEDESTAL TO DRIVE	1	062-327-050	247	FAN	1	C570R-142
185	WIRE - DISPLAY TO KEYPAD	1	062-327-010	248	FAN BRACKET	1	162-110-550
186	DISPLAY OVERLAY	1	067-263-010	250A	PLASTIC CAP	1	1098-49
187A	SCREW - M/P (M4*L12)	1	002-210-003	251	SCREW - P (M5*P0.8*L10)	4	002-211-253
188	WASHER - F (D11*D4*T1.0)	2	003-301-030	252	WIRE - FAN	1	T680-10
189	NUT - H/N (M4*P0.7*6)	2	001-101-050	253	ZIP TIE	1	000-076-230
190	KEY CUSHION	8	032-630-280	255	STICKER - CABLE FEED	1	T655-320
191	KEYPAD BOARD	1	T680E-219	256	WIRE - PEDESTAL TO DRIVE	1	T680-89
192	WIRE CLIP	2	000-076-405	257	WIRE - CSAFE LOWER	1	T680-88
193	WASHER - F (D9*D3.5*T0.8)	2	003-301-109	260	HANDLE - RIGHT	1	T672-260
194	SCREW - P (M3*L12)	8	002-212-045	261	HANDLEBAR END CAP - RIGHT	1	T680-08
195	KEYPAD OVERLAY	1	T672-195	262	CUP HOLDER - RIGHT	1	T680-06
196	HEADPHONE JACK OVERLAY	1	T680E-221	263	WIRE - HTR RECEIVER BOARD	1	T680-107
198	STICKER - ROUND	1	062-063-080	264	POLAR HEART RATE STRAP	1	3100-03A
198A	HEADPHONE JACK - V1.0	1	S770-259	268	WIRE - HTR BOARD	1	062-027-090
200	SCREW - M/P (M4*L12)	6	002-210-003	269	WIRE - HTR PLATES TO HTR BOARD	1	062-027-100
202	SAFETY KEY	1	T680-17	271	WIRE - HTR BOARD TO DISPLAY	1	T670-111
204	ZIP TIE	2	000-076-295	272	SCREW - P (M3*L8)	2	002-212-042
205	WIRE CLIP	3	000-076-010	278	SCREW - P (M3*L8)	2	002-212-042
206	WASHER - F (D15*D5*T1.0)	2	003-301-019	279	IPOD BOARD	1	T652-243
207	SCREW - M/P (M4*L12)	2	002-210-003	279A	KEY CUSHION	2	032-630-280
211	SAFETY KEY BOARD	1	062-120-012	280	WIRES - IPOD CONTROL KEYS	1	T652-241
212	SCREW - P (M3*L6)	1	002-212-040	281	WIRE - IPOD UPPER	1	T670E-281
213	WIRE - SAFETY KEY	1	T680-16	282	WIRE - IPOD LOWER	1	T670E-282
214	SCREW - M/P (M4*L12)	4	002-210-003	283	ZIP TIE	1	000-076-241
215	COWLING REAR COVER	1	T680-14	287	DRIVE BOARD FINGER GUARD	1	T652-267

BBL	Description	QTY	Part Number	BBL	Description	QTY	Part Number
288	SCREW - M/P (M4*L12)	2	002-210-040	452	HANDLEBAR ASSEMBLY - RIGHT	1	167-291-230
289	TAPE - SINGLE-SIDED	2	000-065-160	453	COWLING ASSEMBLY - COMPLETE	1	T672-453
402	HARDWARE KIT - 110V	1	T680E-402	454	PEDESTAL - LEFT	1	T680E-446
403	LUBE - 4X50CC & TUBE	1	LUBE-04	455	PEDESTAL - RIGHT	1	T680E-447
404	MOTOR HOOD	1	T680-47	456	HTR RECEIVER BOARD	1	162-091-620
405	MOTOR HARDWARE	4	T680-25	457	HTR BOARD	1	T672-457
406	MOTOR SLEEVE	1	T652-415	465	DISPLAY BACK PLASTIC	1	167-291-180
407	MOTOR ENCODER	1	T652-416	466	HTR CONTACT PLATE	2	T680E-460
408	EAC SERVO DRIVE MOTOR	1	T652-417	467	MOTOR COVER - LEFT	1	167-091-120
409	SAC SERVO DRIVE BOARD -110V	1	T631-476	468	MOTOR COVER - RIGHT	1	167-091-130
410	POWER SWITCH BRACKET	1	T680E-410	469	FRONT ROLLER	1	T680-90
411	EMI FILTER UPGRADE & WIRE	1	T650-100	470	WALK DECK	1	T680E-143
412	A/V PLATE	1	T672-412				
413	A/V BRACKET	1	T672-413				
414	LIMIT SWITCH	1	162-091-060				
415	INCLINE MOTOR	1	T680E-415				
416	INLINE PIN	1	6100-66				
417	INCLINE MOTOR PIN	1	3100-27				
418	LANDING STRIP SET - LEFT	1	T680-79				
419	WHEEL AXLE	1	100-000-100				
420	INCLINE FRAME	1	162-091-170				
421	INCLINE FRAM AXLE	2	162-091-160				
422	STOPPER ASSEMBLY	1	T680E-422				
423	BELT GUIDE	2	T680-65				
424	DUST FILTER	1	T680-67				
425	FRAME (OLD)	1	T680E-425				
425A	FRAME (NEW)	1	168-091-131				
426	REAR LEVELER FOOT	2	T680-70				
428	REAR BRACKET SET	1	T680-72				
429	WALK BELT	1	T680E-429				
430	DECK BUSHING - REAR	2	T680E-430				
431	DECK BUSHING - FRONT	2	T680E-431				
432	LANDING STRIP SET - RIGHT	1	T680-84				
433	CROSSBAR - REAR	1	T680E-433				
434	CROSSBAR ASSEMBLY - MIDDLE	1	T680E-434				
435	CROSSBAR - FRONT	1	T680E-435				
436	DISPLAY FRONT PLASTIC & OVERLAY	1	167-291-020				
437	DISPLAY ASSEMBLY - FRONT	1	T672-437				
438	DISPLAY BACK PLASTIC	1	T672-438				
440	DISPLAY ASSEMBLY - COMPLETE	1	T672-440				
441	DISPLAY OVERLAY & KEYPAD	1	T672-441				
442	DISPLAY CONTROL BOARD	1	T672-442				
443	SMALL HANDLEBAR & HTR - LEFT	1	T680-22				
444	HANDLEBAR ASSEMBLY - LEFT	1	167-291-210				
445	SAFETY KEY BOARD	1	T680-15				
446	COWLING COVER - CENTER	1	T672-446				
447	MAGAZINE HOLDER	1	T672-447				
448	HEADPHONE JACK	1	T652-448				
449	FAN KEYPAD ASSEMBLY	1	T672-449				
450	DISPLAY SUPPORT BRACKET	1	T672-450				
451	SMALL HANDLEBAR & HTR - RIGHT	1	T680-09				



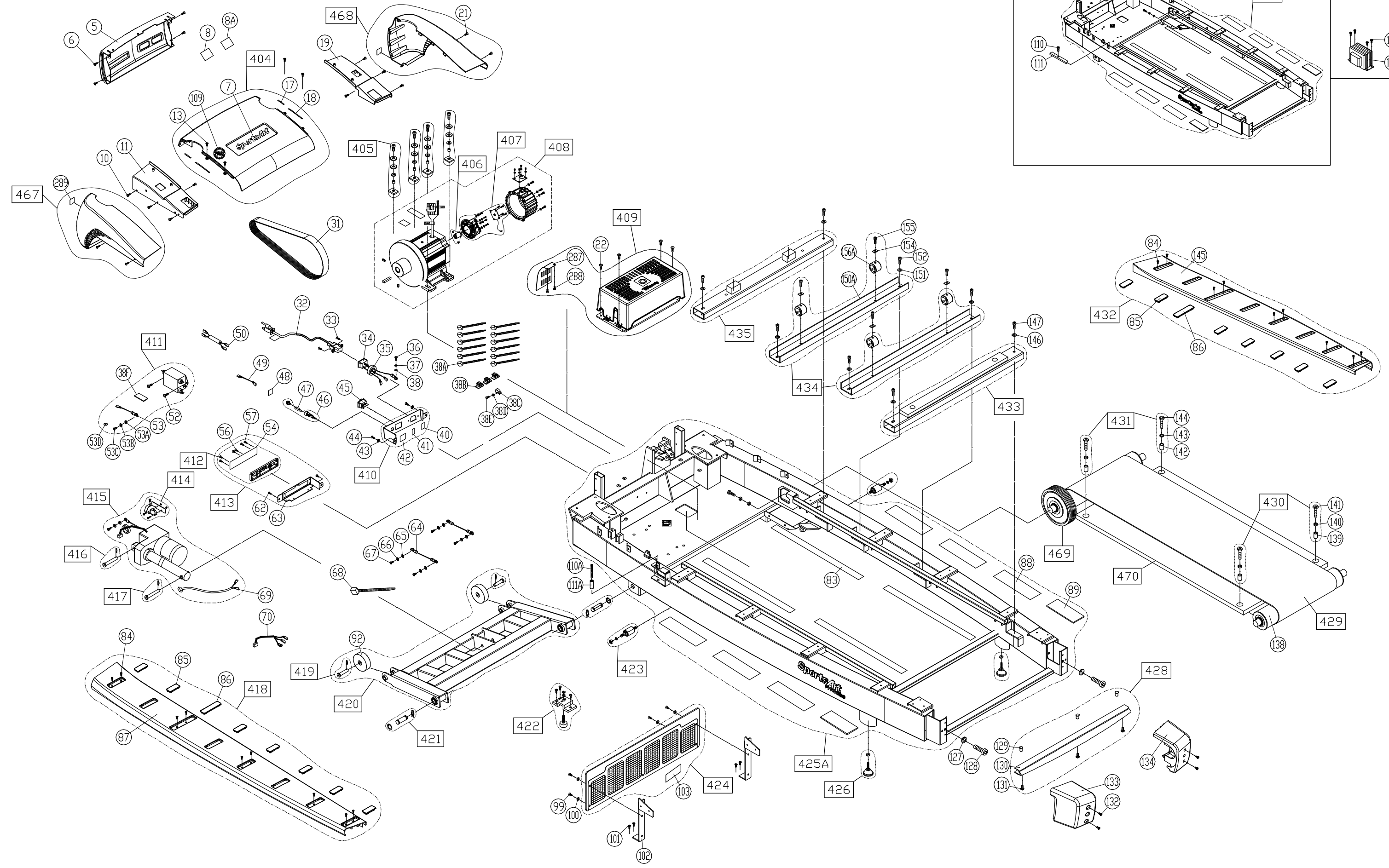
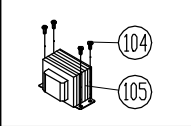
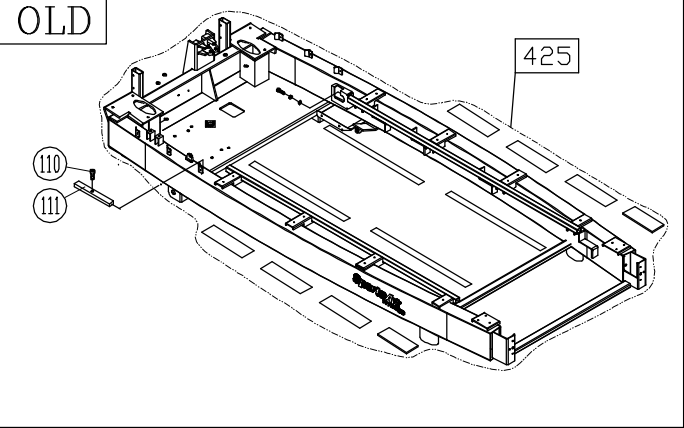
No.	Diagram	Tool Needed
1	TBG-F101B	
2	TBG-F101C	
3	TBG-F101D	OPTION
4	TBG-F101E	OPTION
5	TBA-F102K	OPTION



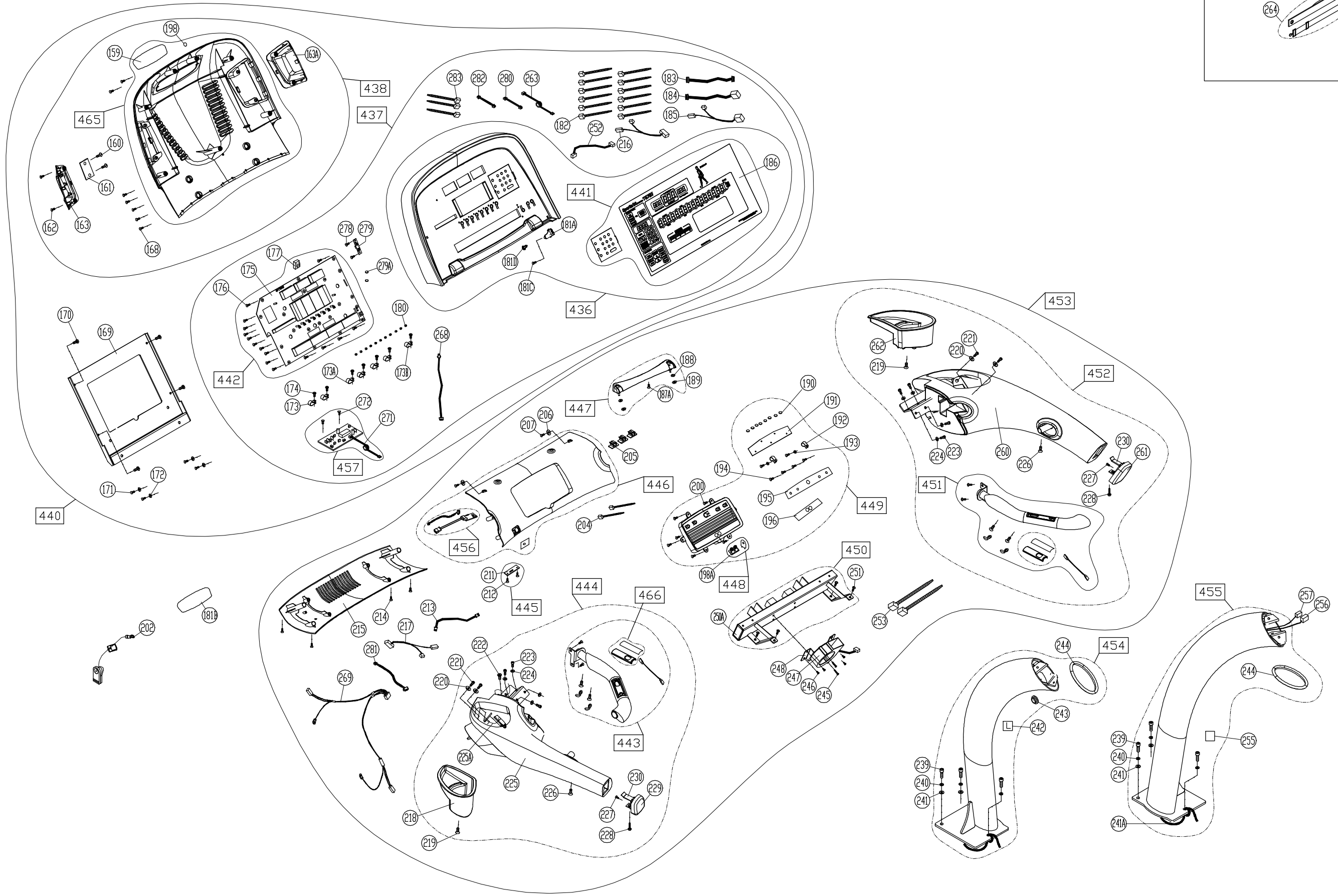
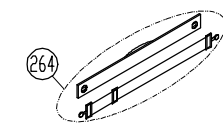
CHANGE DATE	CHANGE DESCRIPTION	CHANGE NO.	NAME	SPORTSART FITNESS	DRAWN BY	UNITS	MM	SALES BLOW UP DIAGRAM	DIAGRAM NO.	TBG-F101A-A
2012.12.14	▲1 新增英文圖示說明		潘衍耀	RESTRICTED USAGE , PLEASE DON'T FORWARD TO ANYONE WHO ISN'T AUTHORIZED		QTY	1			T672
					VERIFIED BY	VERSION	A1	XX	MODEL	
						RATIO	1:12			

OLD

220V 專用



CHANGE DATE	CHANGE DESCRIPTION	CHANGE NO.	NAME	<p>RESTRICTED USAGE , PLEASE DON'T FORWARD TO ANYONE WHO ISN'T AUTHORIZED</p>	DRAWN BY	UNITS	MM	SALES BLOW UP DIAGRAM	DIAGRAM NO.	TBG-F101B-B	
2012.08.29	BO (111) 檔塊改為 (111A) 襯套, 修改 (110) = (110A), 425 = 425A	02-1010824M	許書凱		VERIFIED BY	QTY	1				T672
						VERSION	B0			MODEL	
						RATIO	1/14				



CHANGE DATE	CHANGE DESCRIPTION	CHANGE NO.	NAME	<p>RESTRICTED USAGE , PLEASE DON'T FORWARD TO ANYONE WHO ISN'T AUTHORIZED</p>	DRAWN BY	UNITS	MM	SALES BLOW UP DIAGRAM	DIAGRAM NO.	TBG-F101C-A	
					VERIFIED BY	QTY	1				T672
						VERSION	A0			MODEL	
						RATIO	1/13				